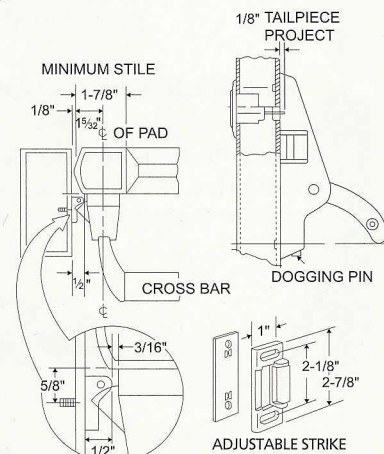
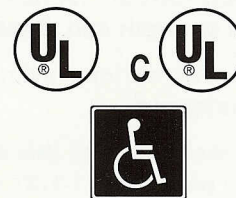


The Best Just Got Better!

INTRODUCING Parker

NARROW STILE #540 SERIES PANIC EXIT DEVICE PUSH-DOWN/CROSS BAR TYPE



This premium, heavy-duty crossbar device is constructed of true architectural materials and will provide many years of quiet and dependable service. Available both as **RIM** and **CONCEALED VERTICAL ROD** models for application to narrow, medium and wide stile aluminum storefront doors. Ideal for reliable, maintenance-free service in high abuse areas, the #540V and the #UL540 are anodized (not painted) to match finishes of other hardware used on the project. They exceed all life safety code requirements and are **ALWAYS AVAILABLE** in aluminum (clear) or dark bronze (duranodic) for immediate shipment from inventory. **RIM** and **MORTISE CYLINDERS** are also available and can be supplied.

#UL540 – Horizontal Rim Exit Device

The UL540 is operated by a standard rim cylinder and is surface mounted. It features the roller strike and includes the standard function which allows the key to be removed in either the locked or unlocked position. As an option, the UL540 is offered with the night latch function, which allows the key to be removed from the cylinder only if the cylinder is in the locked position.

- Designed for application to aluminum or to a pair of doors (separated by a mullion)
- Dual dogging via pins (below housing) or by the outside cylinder key
- Operated by a standard rim cylinder
- Cross Bar is supplied in a 48" standard length and can be easily cut to 42" or 36" length
- Available in aluminum (clear) and dark bronze (duranodic) **ANODIZED** Finishes

NOTE: The #UL540 AL/DUR devices are HANDED and are not reversible. Please specify handing when ordering. See reverse side of sheet for item numbers for the #UL540. For interchangeable core, please specify IC Mortise or Rim cylinders

Screw Details for UL540

Pad Arm 4 x 1/4 - 20 Shoulder Studs
Cross Bar 2 x 1/4 - 20 x 1" Oval Head Self-Threading Screws
Strike 2 x #10 x 1/2" Flat Head Self-Threading Screws & 2 x #10 x 1-1/4" All-Purpose Screws

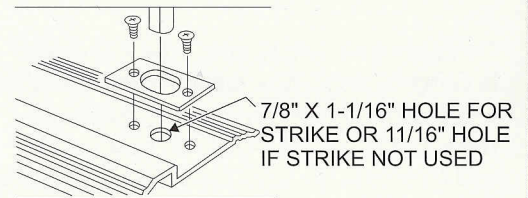
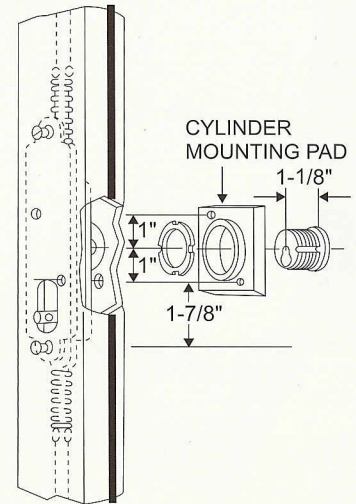
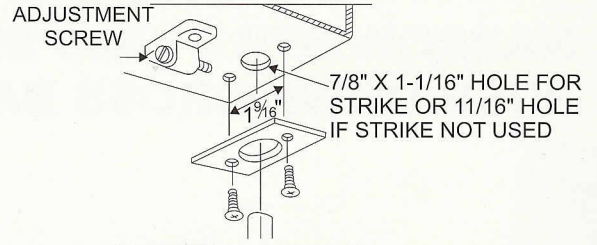
Screw Details for 540V

Pad Arm 4 x 1/4 - 20 Shoulder Studs **Actuator Link** 1 x Connecting Pin
Top & Bottom Bolt Guides 6 x #10 x 1/2" Flat Head Self-Threading Screws
Cross Bar 2 x 1/4 - 20 x 1" Oval Head Self-Threading Screws
Trip Bracket 2 x #8 x 3/8" Flat Head Self-Threading Screws & 1 x Adjustment Screw Bolt
Top & Bottom Strike 4 x #8 x 3/8" Flat Head Self-Threading Screws & 4 x #8 x 1" Flat Head All-Purpose Screws

#540V – Concealed Vertical Rod Exit Device

Non-handed, this device is operated by a standard 1-1/8" mortise cylinder with MS type cam and requires a cylinder mounting pad when using the cylinder. Cylinder mounting pad (CMP) is thru-bolted to the device and prevents the cylinder from being forcibly removed. The crossbar mounting height is 36-1/2" from the bottom of the door and is designed for application to 7' high doors. For doors that are taller than the standard 7' height, EXTENSION ROD kits are available in 12" and 24" lengths.

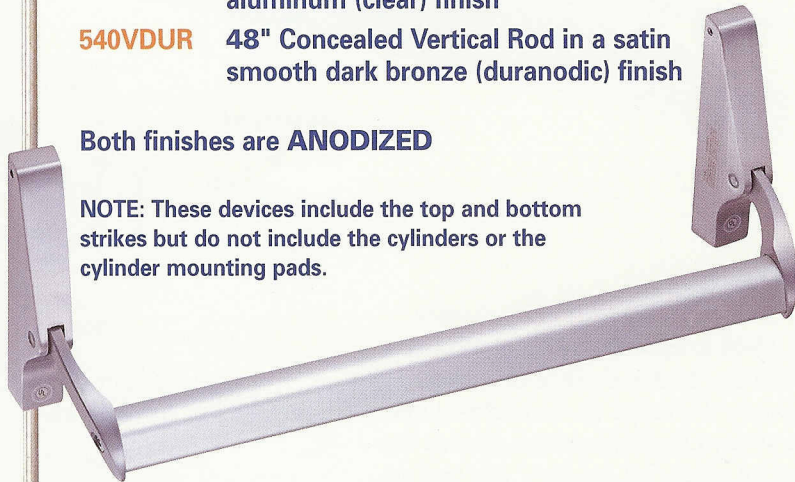
- Ideal for aluminum storefront doors
- Dual dogging via pins (below housing), or by the outside cylinder key
- Our vertical rods are fabricated of quality steel for extended strength and durability
- Available with optional cylinder mounting pad with cylinder nut
- If you choose to install this device with the outside cylinder mounting pad, use a 1-1/8" mortise cylinder with an Adams-Rite® MS cam.



Item #	Description
540VAL	48" Concealed Vertical Rod in aluminum (clear) finish
540VDUR	48" Concealed Vertical Rod in a satin smooth dark bronze (duranodic) finish

Both finishes are ANODIZED

NOTE: These devices include the top and bottom strikes but do not include the cylinders or the cylinder mounting pads.

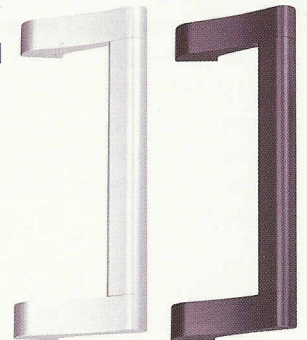


Item #	Description
UL540ALL	48" exit device in aluminum (clear) finish left hand
UL540ALR	48" exit device in aluminum (clear) finish right hand
UL540DURL	48" exit device in dark bronze (duranodic) finish left hand
UL540DURR	48" exit device in dark bronze (duranodic) finish right hand

Accessories (in-stock)

Item #	Description
PH540AL	Pull Handle in aluminum (clear) finish
PH540DUR	Pull Handle in dark bronze (duranodic) finish

CMP540VAL	Cylinder mounting pad for the # 540VAL device
CMP540VDUR	Cylinder mounting pad for the # 540VDUR device



Parker Hardware mfg. corp.

Parker Drive, PO Box 9882 • Englewood, N.J 07631
www.sparker.com

Quality Guaranteed!

One Source Buying Starts Here.

1-800-S-PARKER • Fax: 201-569-1082 • NJ 201-569-1600 • NYC 212-925-6300