

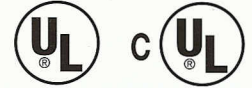
The Best Just Got Better!

Parker Presents...

LEVERSET
SERIES

**NEW STYLE
DESIGNS**

Also available with Patented
Free Wheeling
"Clutch" Mechanism Design,
Rotates Lever
Up and Down while
Leverset Stays Locked



SE 8160

Heavy Duty Cylindrical; Meets
ADA Requirements and
Conforms with ANSI A156.2
Series 4000 Grade 2

SR 8160



Quality features for trouble-free operation:

- Two convertible outside posts for added security & versatility.
- UL latch bolt standard for all functions.
- 4-7/8" ANSI Strike standard with each leverset.
- UL Listed, 3 hour fire rated.
- Cold rolled hardened steel mechanisms.
- 6 pin tumbler SC-1 ILCO #1145 keyway (keyed to 5).
- Independent spring mechanisms for outside and inside lever functions. Each lever handle works independently of the other.
- Available in Polished Brass US 3, Satin Brass US 4, Dull Chrome US 26D, Oil-Rubbed Bronze US 10B, Polished Chrome US 26.
- Will accept Lori, AWI or DOM 1x5HT ASSA or Medeco convert-a-lock cylinders.
- Interchangeable Core Available.
- Deadlocking latch on all keyed leversets.
- Outside lever can be removed for easy cylinder rekeying.
- 2-3/4" backset standard, 2-3/8" available.

Parker Hardware mfg. corp.

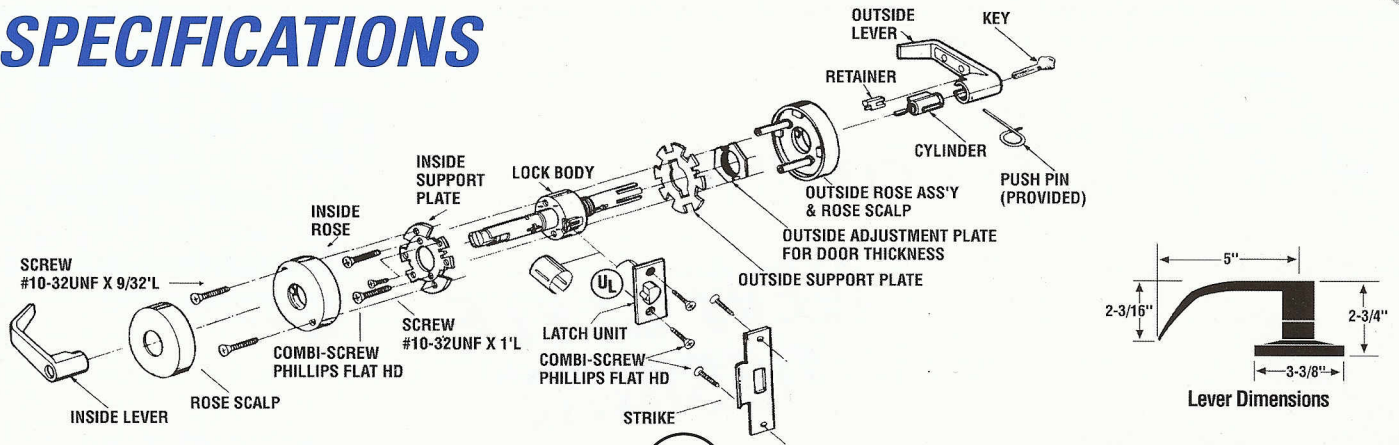
Parker Drive, PO Box 9882 • Englewood, N.J 07631
www.sparker.com

Quality Guaranteed!

One Source Buying Starts Here.

1-800-S-PARKER • Fax: 201-569-1082 • NJ 201-569-1600 • NYC 212-925-6300

SPECIFICATIONS



Keyways

10 Arrow K2, K6	01 Corbin 59A1	29 Corbin 60	32 Dexter (.216 Comp.)	05 Eagle 11929	14 Falcon 1573, 1677 (.248 Comp.)	05 Harloc 700	02 Harloc SE-1 (.248 Comp.)	12 Kwickset (.248 Comp.)
08 Lockwood	05 Lori L100	02 Lori L200 (.216 Comp.)	80 Lori Locksmith Keyway 5 pin	90 "Loricentric" 90 6 pin	11 Russwin 981, 852 (.248 Comp. Reverse)	30 Russwin D1	36 Sargent LA-LC (.216 Comp.)	02 Sargent S
02 Sargent USchlage C	04 Schlage C	34 Schlage E	28 Schlage C-K	27 Segal 9	06 Segal (.248 Comp.)	02 Weslock (.216 Comp.)	13 Welser (.248 Comp.)	03 Yale 8

.248, .216 indicates the fist pin location. This allows rekeying by duplicating original manufacturer's spacing specifications.



UL Underwriters' Laboratories Listings

S.Parker SE 8160 and SR 8160 Series Leversets have been listed by Underwriters' Laboratories, Inc. for use on fire doors having a rating up to and including 3 hours. These leversets are available with 1/2" throw latch bolts for use in all functions when applied to hollow-metal, metal-clad (Kalamein), composite (with steel and other coverings) and sheet-metal type fire doors. It is advisable to check local code authorities, the "Building Materials Directory" published by UL, and the door manufacturer for specific requirements.

- Functions** -Entry, Passage, Privacy, Storeroom, Classroom & Dummy. Entry available less cylinder and keys. (LC).
- Housing** -Cold rolled steel and zinc dichromate finish for rust resistance. 2-1/8" diameter bore is required.
- Backsets** -2-3/4" standard.-2-3/8" backsets are available.
- Latch Bolt** -Solid brass, 1/2" throw for all functions. Housing is in a rust resistant steel-zinc dichromate finish. 1" diameter bore is required.
- Latch Fronts** -Brass, bronze or stainless steel fronts. 2-1/4" x 1-1/4", beveled 1/8" in 2".
- Strikes** -1-1/4" x 4-7/8" ANSI, strike has a 1-1/4" lip to center dimension.
- Rabbeted Hand** -Fronts and Strikes for 1-3/4" doors.
-Reversible, non-handed.

- Door Thickness** -1-3/8" to 1-3/4" thick.
- Cylinders** -Solid brass 6 pin tumbler SC-1, ILCO #1145 keyway (keyed to 5).
- Cylinders** -Will accept Lori, AWI or DOM Ix5HT ASSA or Medeco convert-a-lock cylinders.
- IC Core** -Available in 6 pin #33K600001 or 7 pin #33K700001
- Keys** -Two 5 pin nickel silver keys.
- Finishes** -Architectural Finishes
US 3 - Polished Brass
US 4 - Satin Brass
US IOB - Oil Rubbed Bronze
US 26 - Polished Chrome
US 26D - Satin Chrome
- Trim** -Thru-bolted assembly through door with separate springs for each lever.
- Packaging** -One per box, 10 boxes per carton. Approx. 40 lbs. UPC coded.

Available Without Cylinder Keys. Master and Grand Master Keying Available. When ordering specify series product #, function, finish, strike, latch & keying.

Parker Hardware mfg. corp.
Parker Drive, PO Box 9882 • Englewood, N.J 07631
www.parker.com

Quality Guaranteed!
One Source Buying Starts Here.

1-800-5-PARKER • Fax: 201-569-1082 • NJ 201-569-1600 • NYC 212-925-6300